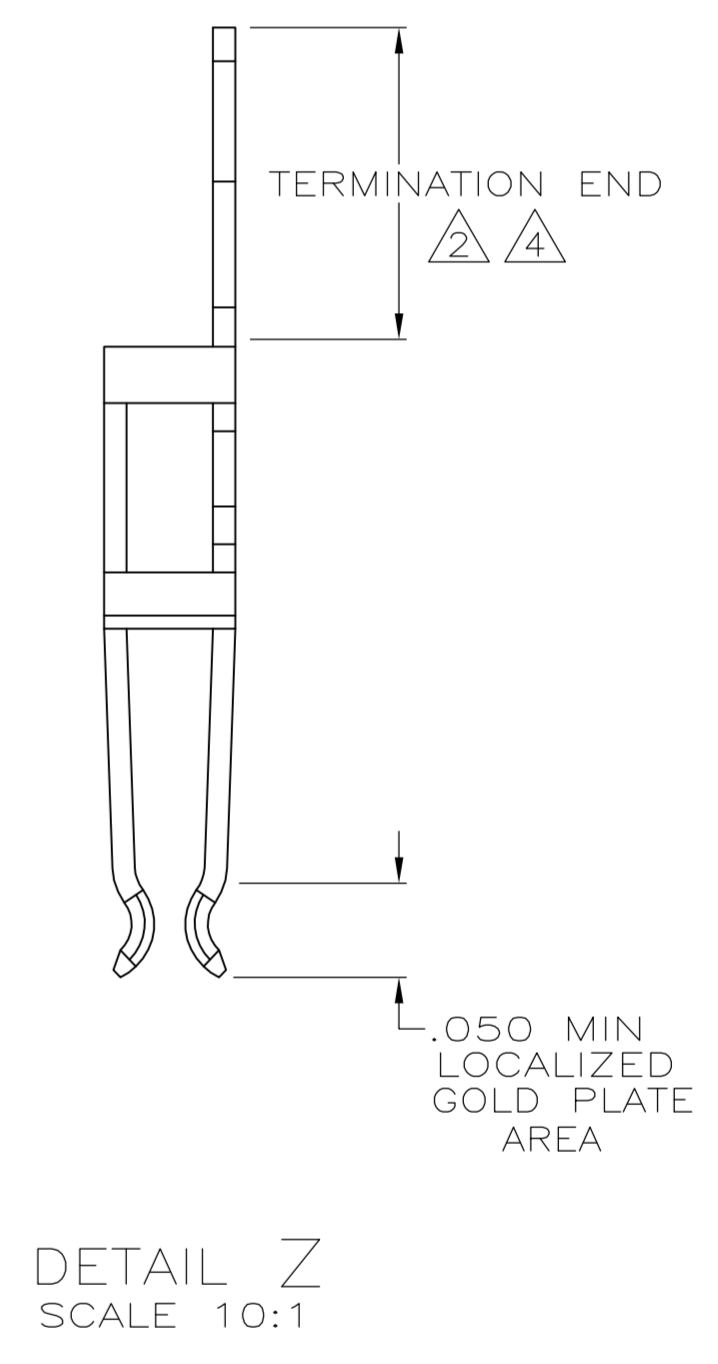
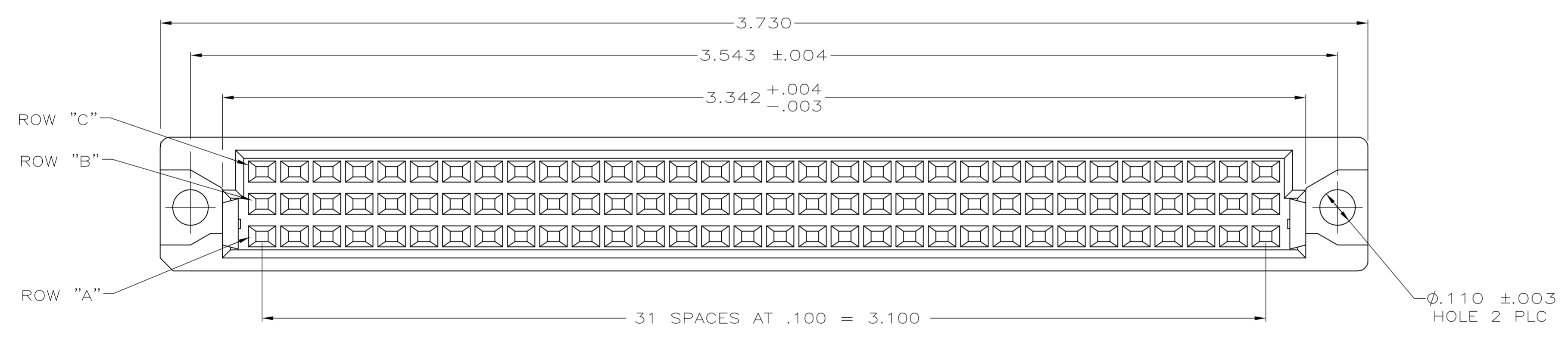


- 1. DIMENSION EQUALS .568 WHEN FULLY TERMINATED.
- 2. .000030 MIN. GOLD ON GOLD PLATE AREA, .000100 MIN. BRIGHT TIN LEAD ON TERMINATION END, ALL OVER .000050 NICKEL.
- 3. ASSEMBLY DESIGNED FOR #26 AND #28 AWG STRANDED CONDUCTOR AND #26, #28 AND #30 AWG SOLID CONDUCTOR RIBBON CABLE ON .050 CENTERS.
- 4. .000030 MIN. GOLD ON GOLD PLATE AREA, .000100 MIN. BRIGHT TIN ON TERMINATION END, ALL OVER .000050 NICKEL.



	4	CONTACTS LOADED IN ROWS A & C	746603-4
OBSOLETE	2	CONTACTS LOADED IN ROWS B & C	746603-3
OBSOLETE	2	CONTACTS LOADED IN ROWS A & B	746603-2
OBSOLETE	2	CONTACTS LOADED IN ROWS A & C	746603-1

FINISH	DESCRIPTION	PART NUMBER
--------	-------------	-------------

THIS DRAWING IS A CONTROLLED DOCUMENT. DIMENSIONING AND TOLERANCING PER ASME Y14.5M-2009.

11-1-89

D. KEITZER

TE Connectivity

STE

ASSEMBLY, EUROLATCH AMP-LATCH

108-46003

00779

746603

SCALE 4:1 SHEET 1 OF 1 REV H